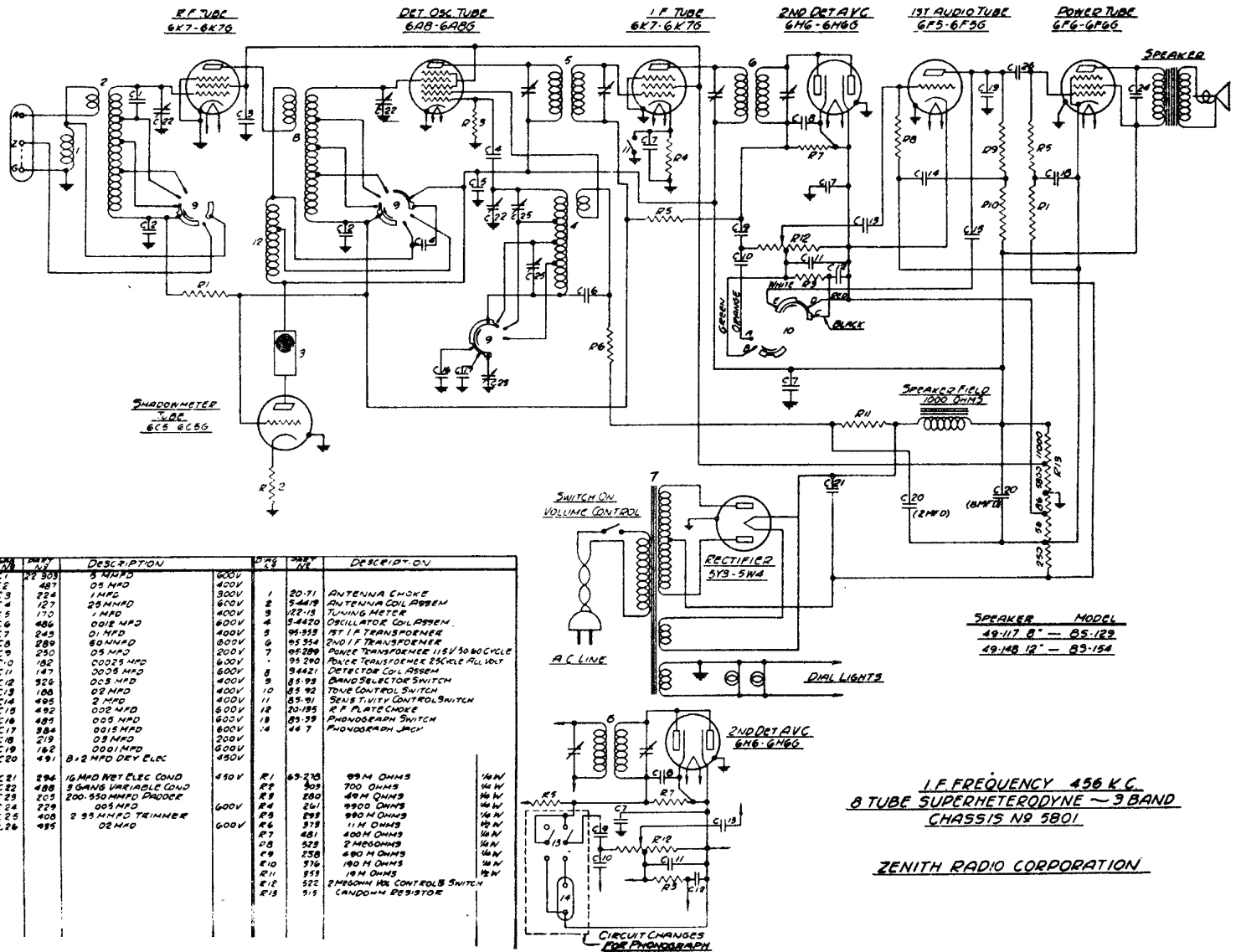


Models 8-S-129, 8-S-154. (Chassis No. 5801)



PART NO.	DESCRIPTION	QTY	PART NO.	DESCRIPTION	QTY
C1	22 MFD	600V	20-71	ANTENNA CHOK	1
C2	487	400V	20-71	ANTENNA COIL ASSEM	1
C3	224	300V	22-15	TUNING METER	1
C4	127	600V	5-4420	OSCILLATOR COIL ASSEM	1
C5	170	400V	95-353	1ST I.F. TRANSFORMER	1
C6	486	600V	95-354	2ND I.F. TRANSFORMER	1
C7	245	400V	95-296	POWER TRANSFORMER 115V/50 HZ CYCLE	1
C8	289	800V	95-290	POWER TRANSFORMER 250V/50 HZ	1
C9	250	200V	94421	DETECTOR COIL ASSEM	1
C10	182	600V	85-93	BAND SELECTOR SWITCH	1
C11	187	600V	85-91	TONE CONTROL SWITCH	1
C12	324	400V	85-91	SENS. WITH CONTROL SWITCH	1
C13	186	400V	20-185	R.F. PLATE CHOK	1
C14	495	400V	85-19	PHONOGRAPH SWITCH	1
C15	492	600V	44-7	PHONOGRAPH JACK	1
C16	485	600V			
C17	284	600V			
C18	219	200V			
C19	182	600V			
C20	491	450V			
C21	294	450V	85-210	95 M OHMS	16W
C22	488	450V	85-205	700 OHMS	16W
C23	503	450V	85-261	49 M OHMS	16W
C24	229	600V	85-293	990 OHMS	16W
C25	408	600V	85-258	11 M OHMS	16W
C26	493	600V	85-481	400 M OHMS	16W
			85-529	2 MEG OHMS	16W
			85-528	480 M OHMS	16W
			85-576	180 M OHMS	16W
			85-553	18 M OHMS	16W
			85-572	2 MEG OHM CONTROL SWITCH	
			85-515	CANDOWN RESISTOR	

SPEAKER MODEL
49-117 B - 85-129
49-148 12" - 85-154

I.F. FREQUENCY 456 K.C.
3 TUBE SUPERHETERODYNE - 3 BAND
CHASSIS NO 5801

ZENITH RADIO CORPORATION